



**For Security
Vari-Focal**

MP^{1.3}
MEGA
PIXELS

YV3.3×15HR4A-SA2

Applicable camera (model)

1 2/3 1/2 1/3 1/4

3.3×



*Photograph is a similar model.

New!

VARI
Vari-Focal

TELE
Telephoto
Long Focal

**1.3
Mega**
For Megapixel
Camera

**Day~
Night**
Day & Night

DC
DC Auto Iris

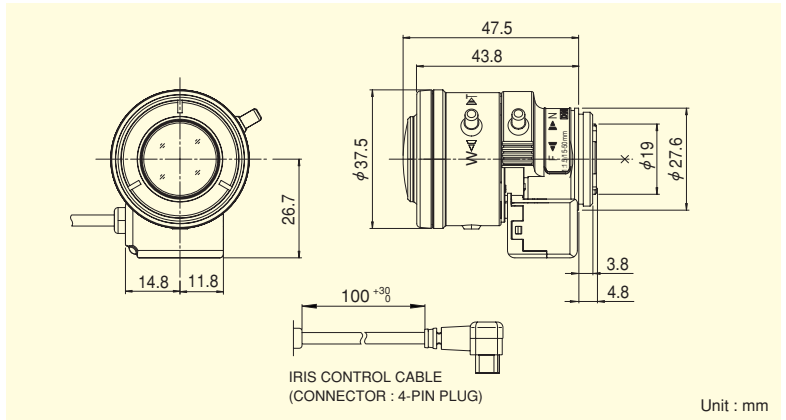
CS-mt
CS Mount

METAL
Metal Mount

ND
ND Filter

AT
Aspherical Lens

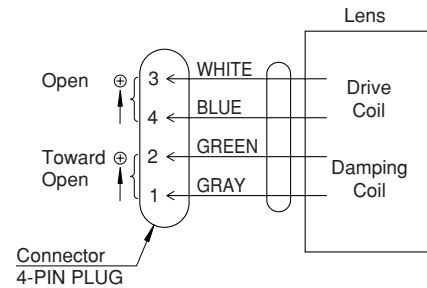
F1.5
Wide Aperture Rate



- High image-quality monitoring with optical performance supporting 1.3 megapixels.
- Advanced design engineering and special optic glass adopted, best suited for color, Black and White and Day and Night cameras.
- f15-50mm, 3.3x zooming application compatible lens.
- Compact and lightweight design, best suited for use with dome cameras.
- Designed to maximize optical performance with high-accuracy aspheric lens, low-dispersion glass, and high refractive-index glass.
- Built-in ND filter of T360, supporting high sensitivity cameras.

Focal Length (mm)		15~50 (3.3×)	
Iris Range		F1.5 ~ T360 (Equivalent to F360)	
Operation	Zoom	Manual	
	Focus	Manual	
	Iris	Auto (DC Type) (*1)	
Angle Of View (H×V)	1/3"	WIDE	18°29' × 13°45'
		TELE	5°29' × 4°09'
	1/4"	WIDE	13°45' × 10°16'
		TELE	4°09' × 3°08'
Focusing Range (From Front Of The Lens) (m)		∞ ~ 0.8	
Object Dimensions at M.O.D. (H×V) (mm)	1/3"	WIDE	271 × 201
		TELE	91 × 69
	1/4"	WIDE	201 × 150
		TELE	69 × 52
Back Focal Distance (in air) (mm)		MIN.8.56	
Exit Pupil Position (From Image Plane) (mm)		-50	
Filter Thread (mm)		—	
Mount		CS	
Mass (g)		50	
Coil Resistance		Drive Coil	190Ω
		Damping Coil	500Ω
Current Consumption		23mA (Max.) at DC 4V	
Remarks		<ul style="list-style-type: none"> • With Metal Mount (*1) When power is turned off, iris will automatically close. 	

Wiring



[Lens Image]

15mm



50mm



MP^{1.3}
MEGAPIXEL VARI-FOCAL LENSES