

## VKH-2I-NWTP

Video Intercom Bundle.



### Key Feature

#### Indoor Station

- UI V2.0: User friendly design
- 7-inch colorful touch screen with resolution 1024 x 600
- Standard PoE
- Stores messages and captured pictures in the TF card
- Remote unlocking via the client software or the mobile client
- Views live videos of door stations and linked cameras
- Supports wireless network

#### Door Station

- 2 MP HD video intercom function
- Access control function
- Noise suppression and echo cancellation
- H.264 video compression
- Low illumination
- Tampering alarm
- Fisheye camera with IR supplement light
- Supports sub-modules' access (max. 8)
- Nametag customization
- Easy to extend

### Specifications

#### Indoor Station

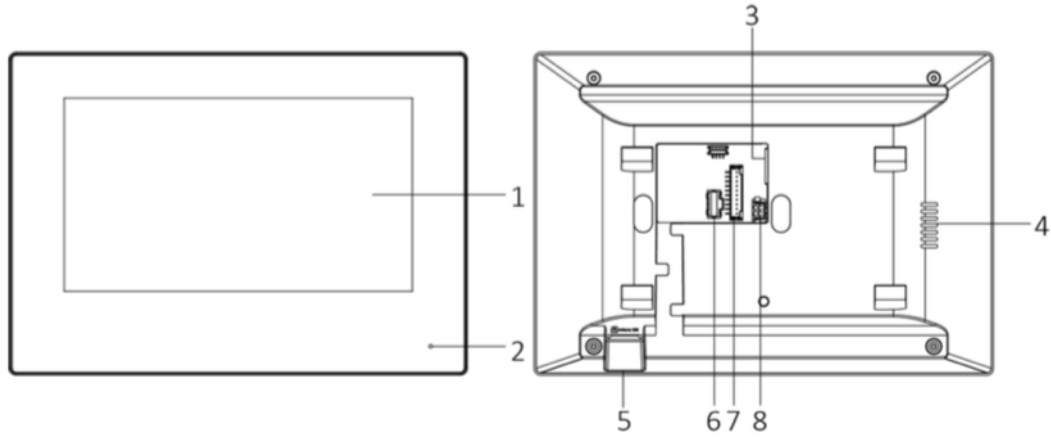
<b>System</b>	Memory	128 MB
	Flash	32 MB
	Operation system	Embedded Linux operation system
<b>Display</b>	Display screen	7-inch colorful TFT LCD
	Display resolution	1024 x 600
	Operation method	Capacitive touch screen
<b>Audio</b>	Audio input	Built-in omnidirectional microphone
	Audio output	Built-in loudspeaker
	Audio compression standard	G.711 U
	Audio compression rate	64 kbps
	Audio quality	Noise suppression and echo cancellation
<b>Network</b>	Wired network	10/100 Mbps self-adaptive network
	Wireless network	Wi-Fi 802.11b/g/n
	Network protocol	TCP/IP, SIP, RTSP
	Network interface	1 RJ-45 10/100 Mbps self-adaptive
	Alarm input	8-ch alarm input
	Relay output	2
	TF card	Max to 32 G, SD 2.0 or lower version
	RS-485	1
<b>General</b>	Power supply	IEEE802.3af, standard PoE 12 Vdc, 1 A
	Power consumption	≤6 W
	Working temperature	-10 °C ÷ 55 °C (14 °F ÷ 131 °F)
	Working humidity	10% ÷ 90%
	Dimensions (W x H x D)	200 x 140 x 15.1 mm (7.9" x 5.5" x 0.6")

## Door Station

<b>System parameters</b>	Processor	Embedded MCU Processor
	Operation system	Embedded Linux operation system
	Operation method	Physical button
<b>Video parameters</b>	Video compression standard	H.264
	Resolution	Main Stream: 1920 × 1080 Sub Stream: 720 × 480
	BLC	Supported
	DNR	Supported
	WDR	Supported
	Anti-flicker	50 Hz, 60 Hz
	Field of view	<i>Horizontal:</i> 180° <i>Vertical:</i> 96°
<b>Audio parameters</b>	Audio input	Built-in omnidirectional microphone
	Audio output	Built-in omnidirectional (more than 85 dB within 20 cm)
	Audio compression standard	G.711 U
	Audio compression rate	64 kbps
	Audio quality	Noise suppression and echo cancellation
<b>Light supplement</b>	Light supplement mode	IR supplement
<b>Network parameters</b>	Ethernet	10/100 Mbps self-adaptive Ethernet
	Network protocol	TCP/IP, SIP, RTSP
<b>Alarm parameters</b>	Tampering alarm	1
<b>Interfaces</b>	Module-connecting	1
	I/O input	4
	Debug	1
	Relay	2 (30 V, 1 A)
<b>General</b>	Physical button	1
	Power supply	12 Vdc/ PoE (IEEE802.3af)
	Power consumption	≤10 W
	Working temperature	-40 °C ÷ 60 °C (40 °F ÷ 140 °F)
	Working humidity	10% ÷ 95%
	IP protection level	IP65
	Installation	Flush mounting, surface mounting
	Dimensions (W × H × D)	98 × 99.8 × 43.9 mm (3.86" × 3.93" × 1.73")

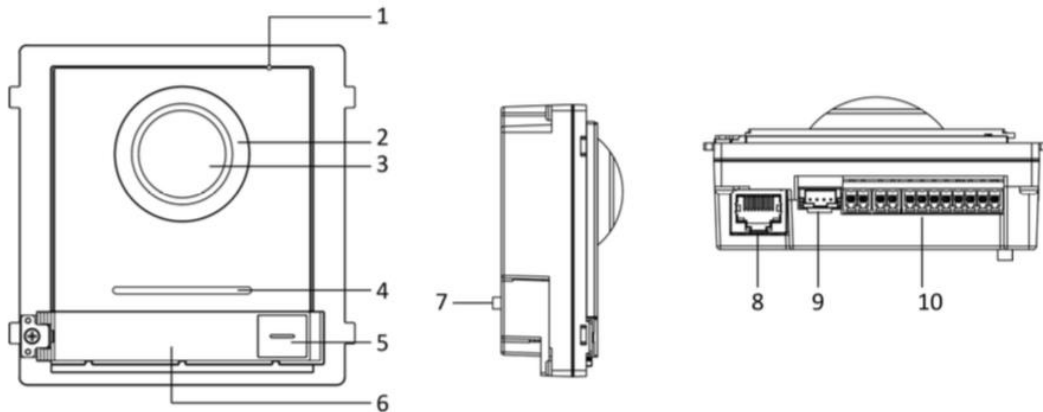
Physical Interface

**Indoor Station**



No.	Description	No.	Description
1	Screen	5	TF Card Slot
2	Microphone	6	Alarm Terminal
3	Network Interface	7	Reserved
4	Loudspeaker	8	Power Terminal

**Door Station**



No.	Description	No.	Description
1	Microphone	6	Nametag
2	Low Illumination IR Supplement Light	7	TAMPER
3	Built-in Camera	8	Network Interface
4	Loudspeaker	9	Module-connecting Interface (output)
5	Call Button	10	Terminals