

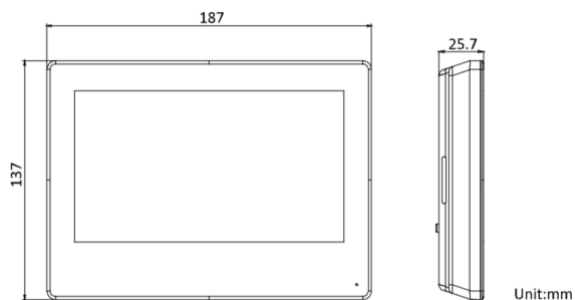
VIH-2I-NTPS

Video Intercom Network Indoor Station.



Key Feature

- 7-inch colourful touch screen with resolution 1024 × 600
- Supports Android app installation
- Open platform for the third-party software integration
- Video intercom & live view on mobile phone all-day
- Built-in CMS-MAZi for all-in-one management
- Wireless intrusion panel for on-site management
- Receives 7 seconds of video verification from alarm systems

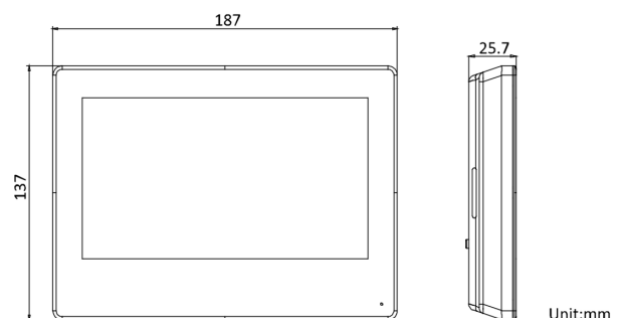


Specification

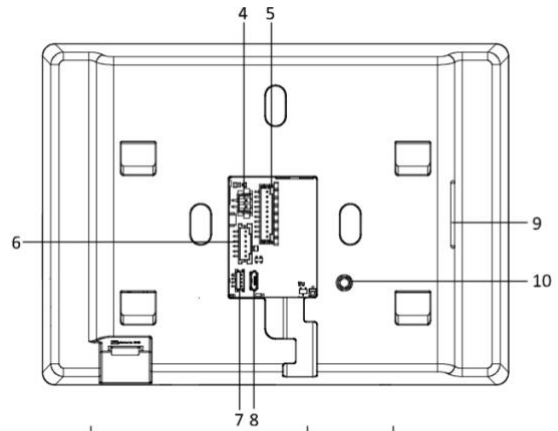
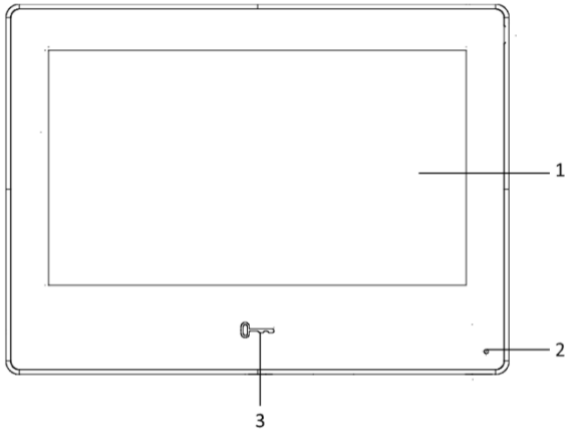
System parameters	
Operation system	Embedded Android operation system
RAM	1 GB
Flash	4 GB Emmc
CPU	Embedded processor
Display parameters	
Size	7-inch
Operation method	Capacitive touch screen
Type	Colourful TFT
Display resolution	1024 × 600
Video parameters	
Video compression standard	/
Lens	/
FOV	/
WDR	/
Pixel	/
Focal length	/
Audio parameters	
Audio input	Built-in omnidirectional microphone
Audio output	Built-in loudspeaker

Audio compression standard	G.711 U
Audio compression bitrate	64 kbps
Audio quality	Noise suppression and echo cancellation
Volume adjustment	Adjustable
Capacity	
Linked IPC	16
Linked indoor extensions	5
Notices	200
Linked doorphone	8
Network parameters	
Communication protocol	TCP/IP, SIP, RTSP
Wired network	Support
Wireless protocol	Wi-Fi 802.11 b/g/n
Bluetooth	/
3G/4G	/
Device Interfaces	
Alarm input	8
Network interface	1 RJ-45 10/100 Mbps self-adaptive
TAMPER	/
RS-485	1
USB	For debug only
TF card	Max to 32 G, SD 2.0 or lower version
Alarm output	2
Power interface	1
General	
Button	/
Installation	Surface mounting
Indicator	/
Power Supply	IEEE802.3af, standard PoE; 12 Vdc/1 A
Power consumption	≤ 8 W
Application environment	Indoor
Protective level	/
Working temperature	-10° C ÷ 50° C (-14° F ÷ 122° F)
Working humidity	10% ÷ 90%
Battery	/
Dimensions	187 × 137 × 25.7 mm (7.36" × 5.39" × 1.01")
Weight	694 g (with packaging); 419.3 g (without packaging)

Dimensions



Physical Interfaces



No.	Description	No.	Description
1	Display Screen	6	RS-485/Relay Interface
2	Microphone	7	Debugging Port
3	Unlock Button	8	Micro USB Interface
4	Power Terminal	9	Loudspeaker
5	Alarm Terminal	10	TAMPER