

VDH-1I-VWPS

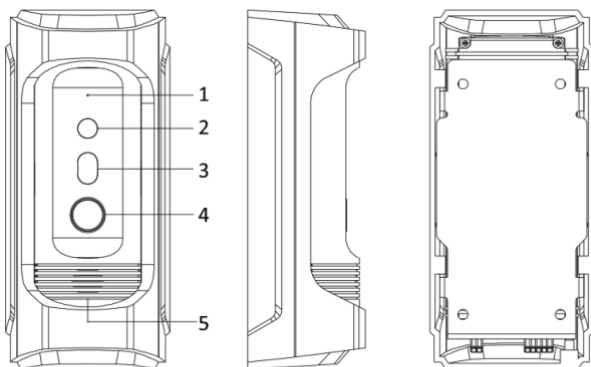
Vandal-Resistant Doorbell.



Key Feature

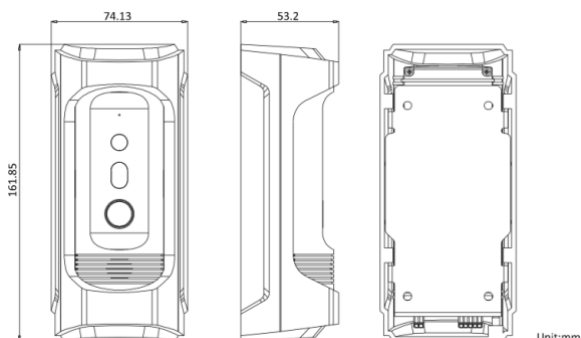
- Standard PoE
- 2 MP HD camera
- Noise suppression and echo cancellation
- Low illumination
- Access control functions
- Configuration remotely via Web

Appearance and Interfaces



No.	Description	No.	Description
1	Microphone	4	Call Button
2	Built-in Camera	5	Loudspeaker
3	Low Illumination Supplement Light		

Dimension



Specification

System parameters	
Operation system	Embedded Linux operation system
Flash	32 MB
RAM	256 MB
Video parameters	
Camera	2 MP HD camera
Night vision	Low illumination IR supplement mode: 3 m
WDR	True WDR
Field of view	Horizontal: 88° Vertical: 45° Diagonal: 106°
Video compression standard	H.264
Stream	Main stream: 1080p@30fps, 720p@30fps Sub stream: D1
Resolution	Main stream: 1920 × 1080p, 720p Sub stream: 704 × 576
Motion detection	Support
Anti-flicker frequency	50 Hz, 60 Hz
Audio parameters	
Audio intercom	Two-way audio communication
Audio input	Built-in omnidirectional microphone
Audio output	Built-in loudspeaker
Audio compression standard	G.711 U
Audio compression rate	64 kbps
Audio quality	Noise suppression and echo cancellation
Network parameters	
Wired network	PoE, 10/100 Mbps self-adaptive
Network protocol	TCP/IP, RSTP
Access control parameters	
Swiping card frequency	/
Relay	1
Interfaces	
Debugging port	1
Alarm input	1
Grounding	1
General	
Protection level	IP65, IK09
Button	1
Power Supply	IEEE802.3af, standard PoE; 12 Vdc
Power consumption	< 10 W
Working temperature	-30° C ÷ 50° C (-22° F ÷ 122° F)
Working humidity	10% ÷ 90%
Heat module	Support
Installation	Surface mounting
Dimensions	161.85 × 74.13 × 53.2 mm (6.37" × 2.92" × 2.09")