



IVH-45PIX

4 MP Fixed Turret Network Camera

High quality imaging with 4 MP resolution

Clear imaging against strong back light due to 120 dB WDR technology

Efficient H.265+ compression technology

-U: Built-in microphone for real-time audio security

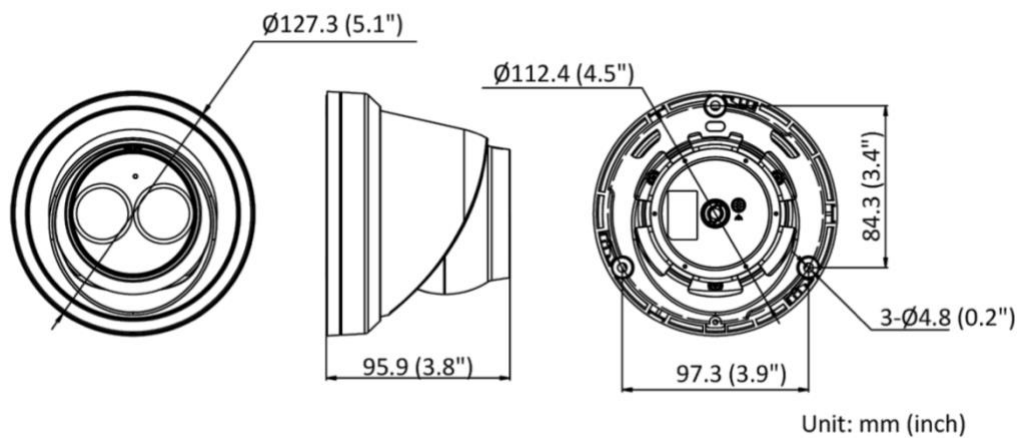
Water and dust resistant (IP67)

Focus on human and vehicle targets classification

Camera	
Image Sensor	1/3" Progressive Scan CMOS
Min. Illumination	Colour: 0.005 Lux @(F1.6; AGC ON), 0 Lux with IR on
Shutter Speed	1/3 ÷ 1/100,000 s
Slow Shutter	Yes
P/N	P/N
Wide Dynamic Range	120 dB
Day & Night	ICR Cut
Angle Adjustment	Pan: 0° ÷ 360°, Tilt: 0° ÷ 75°, Rotate: 0° ÷ 360°
Lens	
Focal length	2.8 mm
Aperture	F1.6
Focus	Fixed
FOV	Horizontal FOV: 103° Vertical FOV: 55° Diagonal FOV: 122°
Lens Mount	M12
DORI	
DORI	D: 67 m; O: 26 m; R: 13 m; I: 6 m
Illuminator	
IR Range	Up to 30 m
Wavelength	850 nm
Video	
Max. Resolution	2688 × 1520
Main Stream	50 Hz: 25 fps (2688 × 1520, 1920 × 1080, 1280 × 720) 60 Hz: 30 fps (2688 × 1520, 1920 × 1080, 1280 × 720)
Sub-Stream	50 Hz: 25 fps (640 × 480, 640 × 360) 60 Hz: 30 fps (640 × 480, 640 × 360)
Third Stream	50 Hz: 25 fps (1920 × 1080, 1280 × 720, 640 × 480, 640 × 360) 60 Hz: 30 fps 1920 × 1080, 1280 × 720, 640 × 480, 640 × 360)
Video Compression	Main stream: H.265/H.264/H.264+/H.265+ Sub-stream: H.265/H.264/MJPEG Third stream: H.265/H.264
Video Bit Rate	32 ÷ 8 Mbps
H.264 Type	Baseline Profile/Main Profile/High Profile
H.265 Type	Main Profile
H.264+	Main stream supports
H.265+	Main stream supports
Bit Rate Control	CBR/VBR

Scalable Video Coding (SVC) Region of Interest (ROI)	Yes 1 fixed region for main stream and sub-stream
Audio	
Environment Noise Filtering	-U: Yes
Audio Sampling Rate	-U: 8 kHz/16 kHz/32 kHz/44.1 kHz/48 kHz
Audio Compression	-U: G.711ulaw/G.711alaw/G.722.1/G.726/MP2L2/PCM/MP3/AAC
Audio Bit Rate	U: 64 Kbps (G.711ulaw/G.711alaw)/16 Kbps (G.722.1)/16 Kbps (G.726)/16 Kbps-64 Kbps (AAC)/32-192 Kbps (MP2L2)/8-320 Kbps (MP3)
Network	
Simultaneous Live View	Up to 6 channels
API	Open Network Video Interface (Profile S, Profile G), ISAPI, SDK
Protocols	TCP/IP, ICMP, HTTP, HTTPS, FTP, DHCP, DNS, DDNS, RTP, RTSP, NTP, UPnP, SMTP, IGMP, 802.1X, QoS, IPv6, UDP, Bonjour, SSL/TLS, PPPoE, WebSocket, WebSockets
User/Host	Up to 32 users. 3 user levels: <i>administrator</i> , <i>operator</i> and <i>user</i>
Security	Password protection, complicated password, HTTPS encryption, IP address filter, Security Audit Log, basic and digest authentication for HTTP/HTTPS, TLS 1.1/1.2, WSSE and digest authentication for Open Network Video Interface
Network Storage	MicroSD/SDHC/SDXC card (256 GB) local storage, and NAS (NFS, SMB/CIFS), auto network replenishment (ANR)
Client	CTR-MAZi, CMS- MAZi
Web Browser	Plug-in required live view: IE 10, IE 11 Plug-in free live view : Chrome 57.0+, Firefox 52.0+ Local service: Chrome 57.0+, Firefox 52.0+
Image	
Day/Night Switch	Day, Night, Auto, Schedule
Image Enhancement	BLC, HLC, 3D-DNR
Image Parameters Switch	Yes
Image Settings	Rotate, mirror, privacy mask, saturation, brightness, contrast, sharpness, gain, white balance adjustable by client software or web browser
Interface	
Built-in Microphone	-U: yes
On-board Storage	Built-in micro SD, up to 256 GB
Hardware Reset	Yes
Communication Interface	1 RJ45 10 M/100 M self-adaptive Ethernet port
Event	
Basic Event	Motion detection (human and vehicle targets classification), video tampering alarm, exception
Face Detection	Yes
Deep Learning Function	
Perimeter Protection	Line crossing detection, intrusion detection Supports human and vehicle targets classification
General	
Linkage Method	Upload to FTP/memory card/NAS, notify surveillance center, trigger record, trigger capture, Email
Web Client Language	33 languages: English, Russian, Estonian, Bulgarian, Hungarian, Greek, German, Italian, Czech, Slovak, French, Polish, Dutch, Portuguese, Spanish, Romanian, Danish, Swedish, Norwegian, Finnish, Croatian, Slovenian, Serbian, Turkish, Korean, Traditional Chinese, Thai, Vietnamese, Japanese, Latvian, Lithuanian, Portuguese (Brazil), Ukrainian
General Function	Anti-flicker, heartbeat, password reset via e-mail, pixel counter

Software Reset	Yes
Storage Conditions	-30 °C ÷ 60 °C (-22 °F ÷ 140 °F). Humidity 95% or less (non-condensing)
Startup and Operating Conditions	-30 °C ÷ 60 °C (-22 °F ÷ 140 °F). Humidity 95% or less (non-condensing)
Power Supply	12 Vdc ± 25%, reverse polarity protection; PoE: 802.3af, Class 3
Power Consumption and Current	12 Vdc, 0.5 A, max. 6 W; PoE (802.3af, 36 ÷ 57 V), 0.19 ÷ 0.12 A, max. 7 W
Power Interface	Ø 5.5 mm coaxial power plug
Material	Aluminum alloy body
Dimension	<i>Camera:</i> Ø 127.3 × 95.9 mm (Ø 5.01" × 3.78") <i>Package:</i> 150 × 150 × 141 mm (5.9" × 5.9" × 5.6")
Weight	<i>Camera:</i> ~600 g (1.3 lb.) <i>With Package:</i> ~816 g (1.8 lb.)
Approval	
EMC	FCC (47 CFR Part 15, Subpart B); CE-EMC (EN 55032: 2015, EN 61000-3-2: 2014, EN 61000-3-3: 2013, EN 50130-4: 2011 +A1: 2014); RCM (AS/NZS CISPR 32: 2015); IC (ICES-003: Issue 6, 2016); KC (KN 32: 2015, KN 35: 2015)
Safety	UL (UL 60950-1); CB (IEC 60950-1: 2005 + Am 1: 2009 + Am 2: 2013); CE-LVD (EN 60950-1: 2005 + Am 1: 2009 + Am 2: 2013); BIS (IS 13252 (Part 1): 2010 +A1: 2013 +A2: 2015)
Environment	CE-RoHS (2011/65/EU); WEEE (2012/19/EU); Reach (Regulation (EC) No 1907/2006)
Protection	IP67 (IEC 60529-2013)





IVH-45PIX | CCTV IP
P PRO SERIES