



IDH-22LIX

2 MP EXIR Fixed Wi-Fi Network Dome Camera, IP66.

High quality imaging with 2 MP resolution
 Efficient H.265 compression technology
 EXIR 2.0, advanced infrared technology with long IR distance
 Up to 128 GB SD card slot for storage
 Built-in two-way audio for real-time security
 Wi-Fi connection and easy installation
 Water and dust resistant (IP66)
 Built-in memory card slot, support microSD/microSDHC/microSDXC card, up to 256 GB

Camera

Image Sensor	1/2.7" Progressive Scan CMOS
Max. Resolution	1920 × 1080
Min. Illumination	Colour: 0.005 Lux @(F1.6, AGC ON), B/W: 0 Lux with IR
Shutter Speed	1/3 ÷ 1/100,000 s
Day & Night	IR Cut Filter
Axis Adjustment	<i>Pan:</i> 0° ÷ 355°; <i>Tilt:</i> 0° ÷ 75°

Lens

Lens type	Fixed focal lens
Iris type	Fixed
Aperture	F1.6
FOV	<i>Horizontal field of view:</i> 111° <i>Vertical field of view:</i> 59° <i>Diagonal field of view:</i> 133°
Lens Mount	M12
Focal Length	2.8 mm
Depth of Field	1 m to ∞

DORI

DORI	D: 42 m, O: 17 m, R: 9 m, I: 4 m
------	----------------------------------

Illuminator

Supplement Light Type	IR
Supplement Light Range	Up to 30 m
SMART Supplement Light	Yes
IR Wavelength	850 nm

Video

Video Compression	<i>Main stream:</i> H.265+/H.265/H.264+/H.264 <i>Sub-stream:</i> H.265/H.264/MJPEG
H.264 Type	Baseline Profile/Main Profile/High Profile
H.265 Type	Main Profile
Video Bit Rate	32 Kbps to 8 Mbps
Main Stream	50 Hz: 25 fps (1920 × 1080, 1280 × 720) 60 Hz: 30 fps (1920 × 1080, 1280 × 720)
Sub Stream	50 Hz: 25 fps (640 × 480, 640 × 360) 60 Hz: 30 fps (640 × 480, 640 × 360)

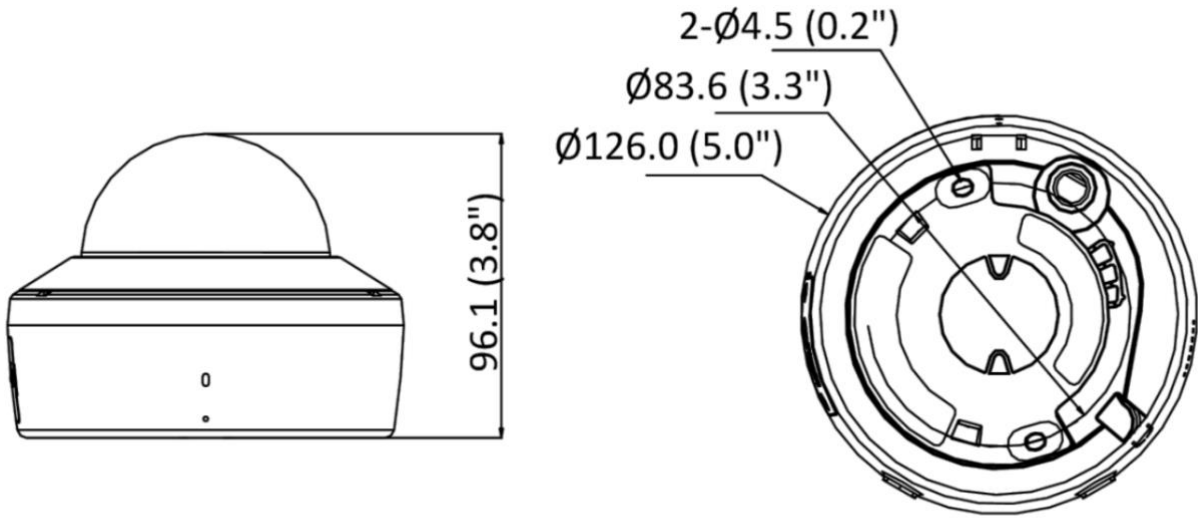
Audio

Audio Compression	G.711ulaw/G.711alaw/G.722.1/G.726/MP2L2/PCM/AAC
Audio Bit Rate	64 Kbps (G.711)/16 Kbps (G.722.1)/16 Kbps (G.726)/32 to 160 Kbps (MP2L2)/16 to 64 Kbps (AAC)
Audio Sampling Rate	8 kHz/16 kHz
Environment Noise Filtering	Yes

Image

Image Enhancement	BLC, 3D-DNR
Image Setting	Rotate mode, saturation, brightness, contrast, sharpness adjustable by client software or web browser
Day/Night Switch	Auto, Schedule, Day, Night
Wide Dynamic Range (WDR)	120 dB

Wi-Fi	
Wi-Fi Protocol	802.11n: OFDM 802.11b: DSSS 802.11g: OFDM
Frequency Range	2.412 GHz - 2.472 GHz
Channel Bandwidth	20/40 MHz
Modulation	802.11n: BPSK, QPSK, 16QAM, and 64QAM 802.11b: DBPSK and DQPSK, CCK 802.11g: BPSK, QPSK, 16QAM, and 64QAM
Transfer Rate	11n: up to 300 Mbps
Wireless Range	Up to 120 m (The performance varies based on actual environment)
Antenna	2 Antenna(s)
Network	
Protocols	TCP/IP, ICMP, HTTP, HTTPS, FTP, DHCP, DNS, DDNS, RTP, RTSP, RTCP, PPPoE, NTP, UPnP™, SMTP, SNMP, IGMP, 802.1X, QoS, IPv6, Bonjour
Simultaneous Live View	Up to 6 channels
API	Open Network Video Interface, ISAPI
User/Host	Up to 32 users. 3 levels: administrator, operator and user
Client	Wire network: CMS-MAZi, CTR-MAZi Wi-Fi: CMS-MAZi
Web Browser	Plug-in free live view: Chrome 57.0+, Firefox 52.0+ Local service: Chrome 57.0+, Firefox 52.0+
Interface	
Built-in Microphone	Yes
Built-in Speaker	Yes
On-board Storage	Built-in memory card slot, support microSD/microSDHC/microSDXC card, up to 256 GB
Reset Key	Yes
Ethernet Interface	1 RJ45 10 M/100 M self-adaptive Ethernet port
Event	
General	
Basic Event	Motion detection, exception
General	
Power	12 Vdc ± 25%, 0.5 A, max 6 W; Φ 5.5 mm coaxial power plug, reverse polarity protection, switching adapter included in the package.
Storage Conditions	-30 °C ÷ +60 °C (-22 °F ÷ +140 °F), humidity 95% or less (non-condensing)
Language	English, Ukrainian
General Function	Anti-flicker, heartbeat, mirror, password protection, privacy mask, watermark, IP address filter
Reset	Yes
Startup and Operating Conditions	-30 °C ÷ +60 °C (-22 °F ÷ +140 °F), humidity 95% or less (non-condensing)
Material	Base: metal; front cover: polycarbonate; back cover: polycarbonate
Dimensions	Camera: Ø 126 mm × 96.1 mm (Ø 5" × 3.8") With package: 170 mm × 170 mm × 150 mm (6.7" × 6.7" × 5.9")
Weight	Camera: Approx. 590 g (1.3 lb.) With package: Approx. 989 g (2.2 lb.)
Approval	
EMC	FCC: 47 CFR Part 15, Subpart B, CE-EMC: EN 55032: 2015, EN 61000-3-2:2019, EN 61000-3-3: 2013 +A1:2019, EN 50130-4: 2011 +A1: 2014, KC: KN32: 2015, KN35: 2015
RF	FCC ID [FCC Part 15.247(BT or 2.4G)]; CE-RED [EN 301489-1 V2.1.1(BT or 2.4G); EN 301489-17 V3.1.1(BT or 2.4G); EN 300328 V2.1.1(BT or 2.4G); EN 62311:2008(BT or 2.4G)];
Safety	CB: IEC 62368-1: 2014+A11, CE-LVD: EN 62368-1: 2014/A11: 2017
Environment	CE-RoHS: 2011/65/EU, WEEE: 2012/19/EU, Reach: Regulation (EC) No 1907/2006
Protection	IP66: IEC 60529-2013



Unit: mm (inch)